



MacLean Power Systems
 7801 Park Place Rd., York, SC 29745
 USA (803) 628-2100

MPS Catalog Number

H0 90 20 006 MX SS 003

Revision: A

Date 3/31/2023

End Fittings

Tower End Fitting:

Single Piece Aluminum Gain Base

Line End Fitting:

Trunnion

Material

Number of Sheds:

3

Rod Diameter:

1-1/2"

Weight Estimate:

7.7 lbs

3.5 kg

Dimensional Values

Section Length (L):

15.2 in 385 mm

Rubber Length (X):

6.0 in 152 mm

Shed Height (P):

2.4 in 61 mm

Shed Diameter (B):

6.5 in 165 mm

Shed Spacing (S):

2.0 in 50 mm

Dry Arc Distance:

8.3 in 211 mm

Leakage Distance:

18.3 in 465 mm

Electricals Values

60 Hz dry Flashover:

112 kV

Min. Withstand

91 kV

60 Hz Wet Flashover:

84 kV

Min. Withstand

55 kV

Positive CIFO:

170 kV

Min. Withstand

138 kV

Negative CIFO:

209 kV

Min. Withstand

169 kV

Mechanical Values

Max. Design Cant. Load (MDCL):

1,350 lbs 6.0 kN

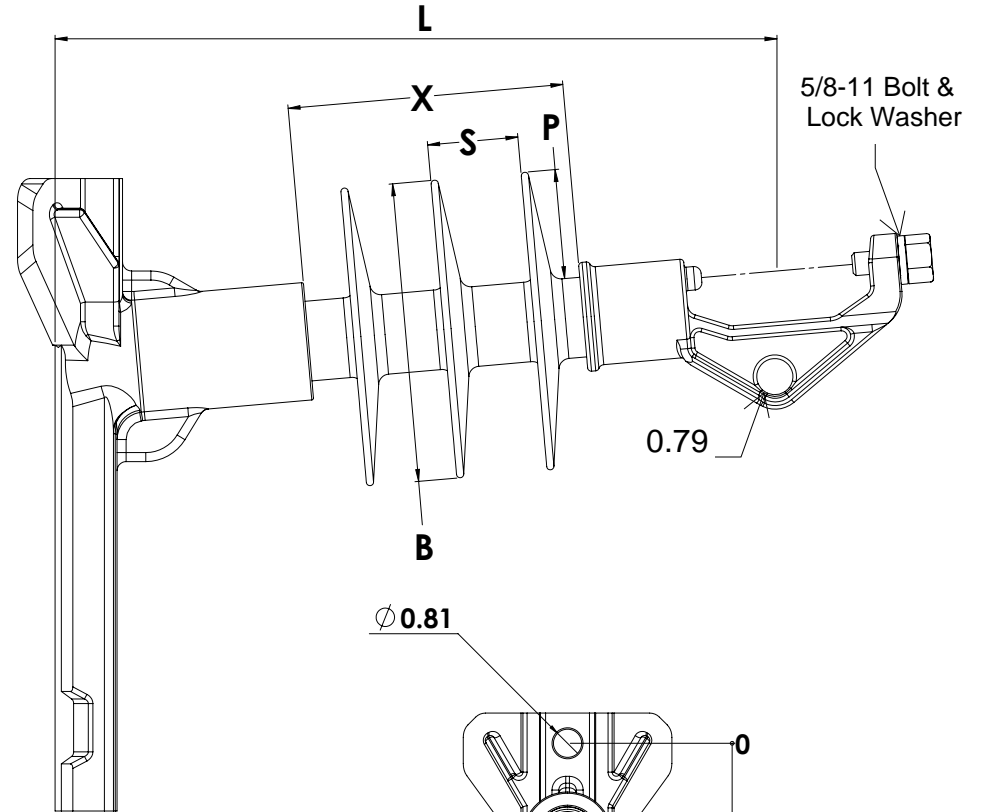
Specified Cant. Load (SCL):

2,800 lbs 12.5 kN

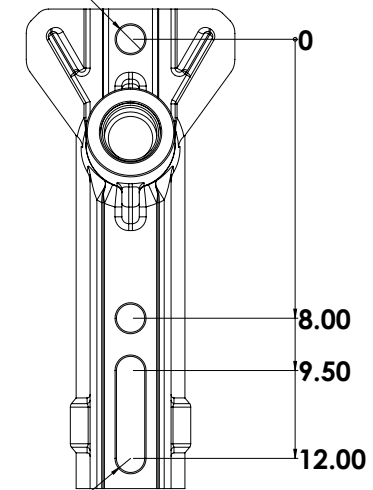
Specified Tensile Load (STL):

5,000 lbs 22.2 kN

This drawing contains confidential information that is the property of MacLean Power, L.L.C. ("MacLean"). Use of MacLean's confidential information without MacLean's express written consent is strictly prohibited and may expose you to legal liability. If you believe that you received this material in error, please destroy it or return it to "MacLean Power, L.L.C., 7801 Park Place Rd., York, South Carolina 29745, USA."



Ø 0.81



Part Marking:
 MPS WO#
 H09020006MXSS003
 28kV
 MDCL 1,350 lbs/6.0 kN

Dimension: inches [millimeters]

NOTE: Drawing not actual depiction of insulator appearance

R0.41

Insulator assembly complies with ANSI C.29.18 and CSA C411.6 Standards